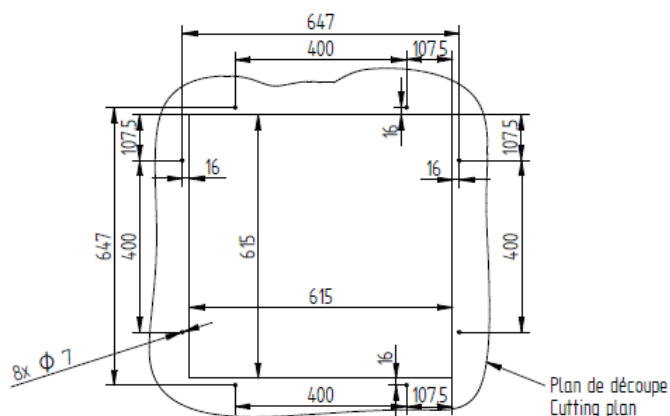
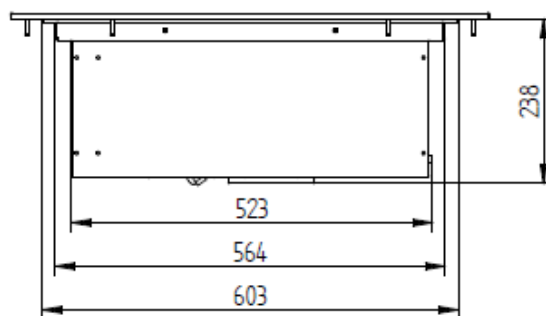
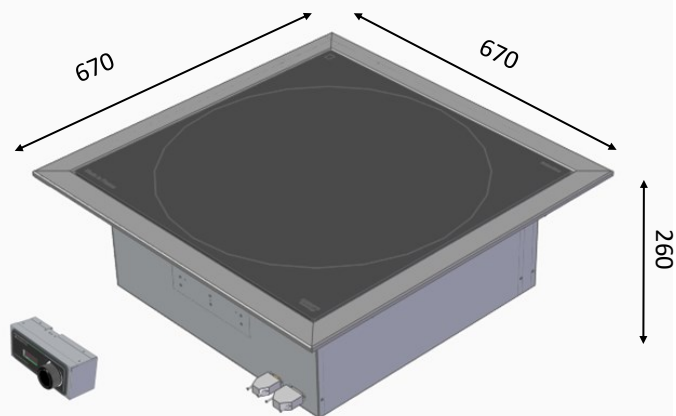


### TECHNICAL FEATURES

<b>Materials</b>	Drop-in kit with vitroceramic glass + stainless steel frame
<b>Dimensions</b>	670 x 670 x h260mm
<b>Surface</b>	594x594mm = vitroceramic glass cooking surface
<b>Power</b>	8000W
<b>Controls</b>	Deported control panel 360°C knob control + 4 digits display digits
<b>Amp</b>	12A
<b>Fuctions</b>	On/Off, power setting with knob (20 power levels from 50W to 8000W), 4 digit display.
<b>Power supply</b>	360-440V three-phase / 50 et 60Hz). (3 phases + N + earth)
<b>Weight</b>	35kg
<b>Standards</b>	Complies with current standards (electric device safety + CEM)
<b>Details &amp; Op-tions</b>	Specific paëlla pan included Design and made in France



#### ADVENTYS

Route de Pagny - 21250 Seurre - France

[www.adventys.com](http://www.adventys.com)

[contact@adventys.com](mailto:contact@adventys.com)

T: 03.80.20.46.15

#### Important

Adventys reserves the right to modify the characteristics without notice.